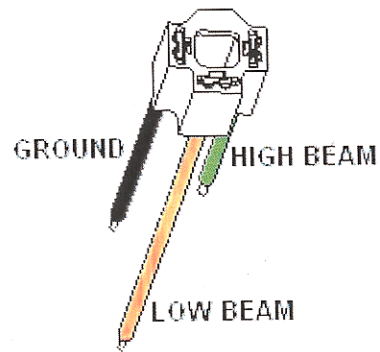


# Headlight Harness Installation Manual

- 1 Connect the large Red cable to battery power.  
Connect the heavy duty Black cable to body ground.
- 2 Route the harness neatly away from the cooling fan, and mount the relays.
- 3 Unplug the headlights from the old harness, and plug in the new harness.
- 4 Plug one of the old headlight connectors into the new harness.
- 5 Make sure to secure the headlight harness away from any moving parts, like the hood or engine fan.

## HEADLIGHT CONNECTOR

Wire colors can be found below, but are not 100% accurate. Aftermarket harnesses change color without warning.



	Low Beam	High Beam
<b>RJM Injection harness</b>	Red	Green
<b>Original Ford Harness</b>	Red / Black	Green / Black
<b>Centech Body Harness *</b>	White	White
<b>Painless Body Harness *</b>	Red	Green or Tan

\* Colors are not always standardized with aftermarket brands

If you want your low beams to stay on even with the high beams here is how. Locate the dimmer switch typically on the floor. Connect the center Feed wire typically Red / Yellow to the Low Beam wire typically Red / Black. Your low beams will still turn ON / OFF with the headlight switch. But now when you switch to high beams the lows will stay on as well.

